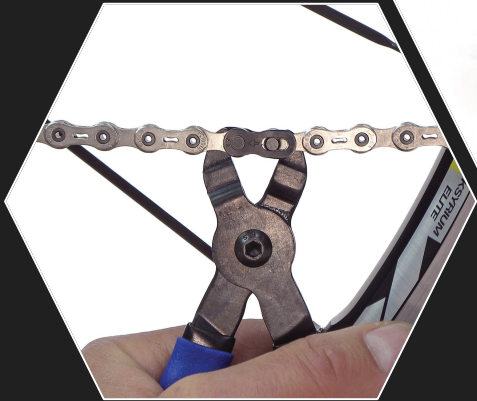
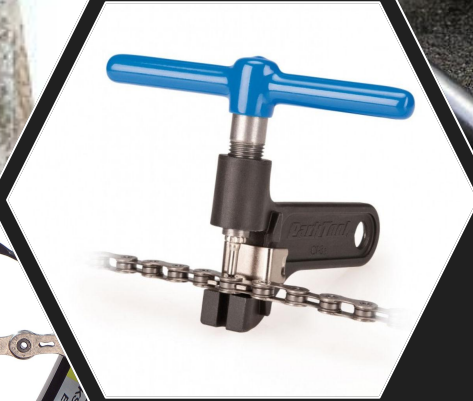
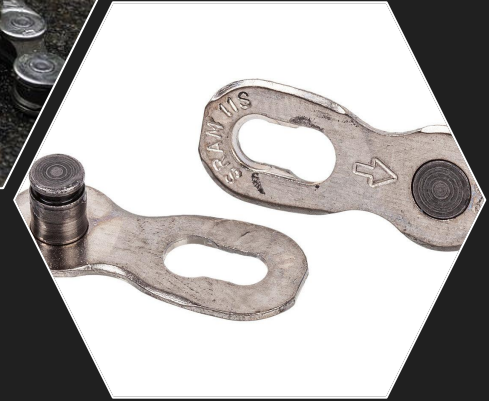


Chain Lock Opener

Unique solution, smart and fast, for all cyclists



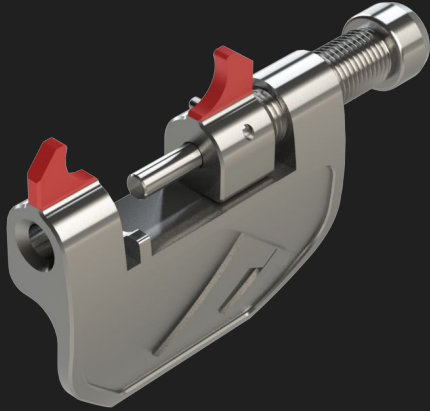
CURRENT CHALLENGE

Currently it is only possible to open a chain lock with an unhandy and heavy chain plier or a special tool. There is no solution that is light and small enough to be carried during a ride. Thus, the cyclist is able to open the chain during a bike tour, a race or even at home in the rarest cases only - this presents a real problem.

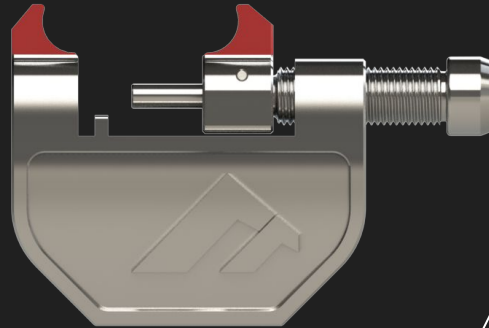
Smart solution to open a chain lock "CHAIN LOCK OPENER"

Patented

"Single"

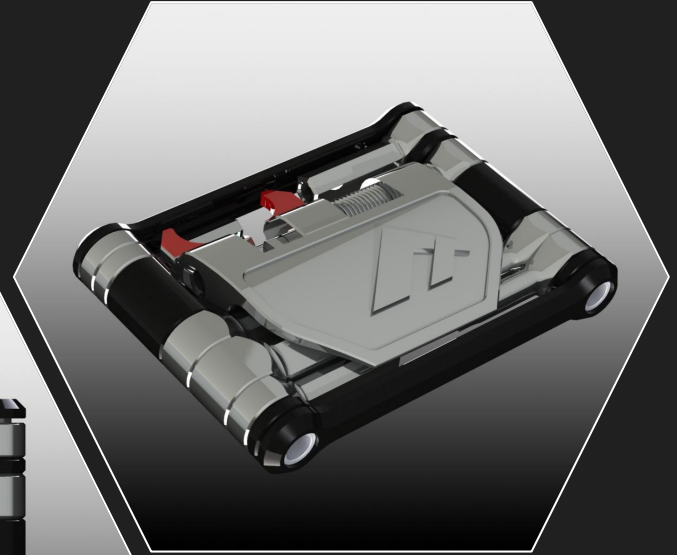
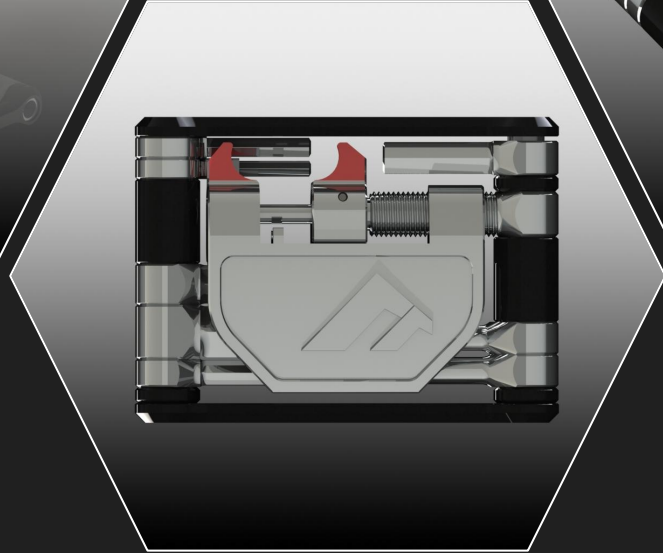
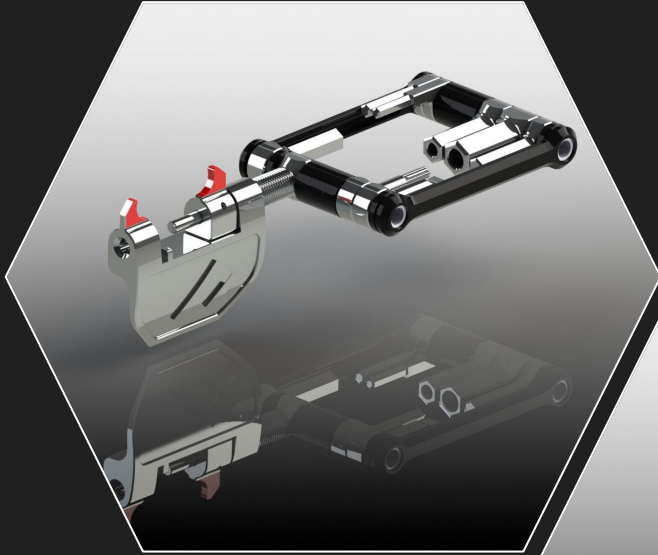


Patented



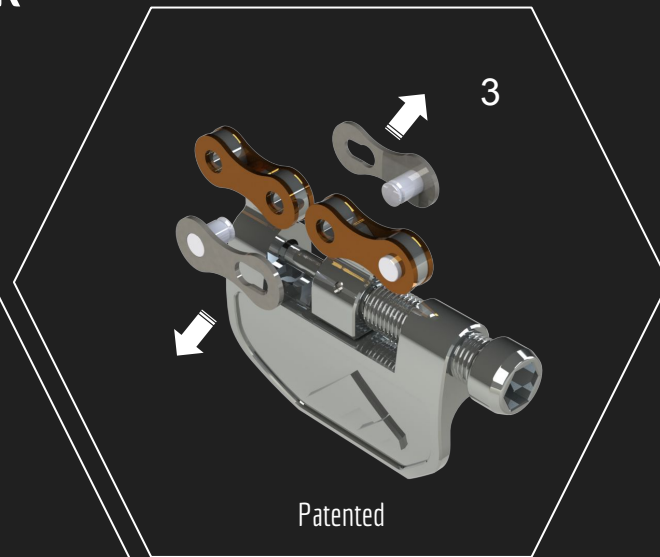
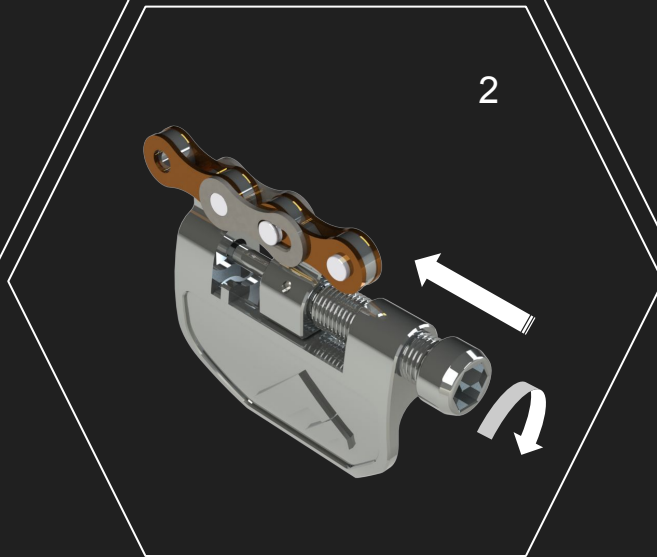
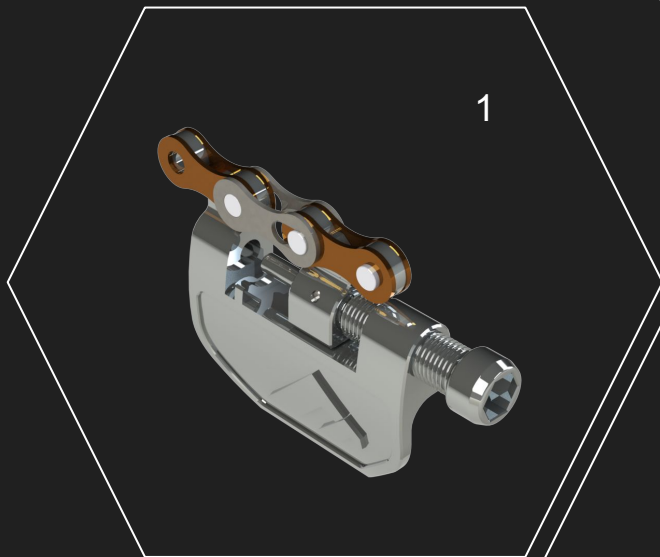
"CHAIN LOCK OPENER"

Patented
"Integrated"



"CHAIN LOCK OPENER"

How it works



Why Chain Lock Opener?

- Simple release in case of a chain suck
- Easy to open for maintenance and cleaning (no expensive additional tool needed)
- Many cyclists use a chain with chain lock

Target group

- Any mountain biker (4.000.000 in Germany alone (2014))
- Any road racer (5.390.000 in Germany alone (2013))
- Everyone who needs a handy tool (global market)

Reasons for a cooperation

- Advantage in competition
- Sales argument, extra function at minimal additional weight and low costs
- Unique selling point
- Innovative image
- In case needed, we support you in product development
- Simple licence system (international patent)

If we have aroused your interest, please talk to us about our license solution

Contact

Licence management

QCS QualityConsult Service GmbH

Bachers 6

9058 Brülisau, Switzerland

info@qcsg.ch

Inventor Swen Lauer

swen.lauer@qcsg.ch